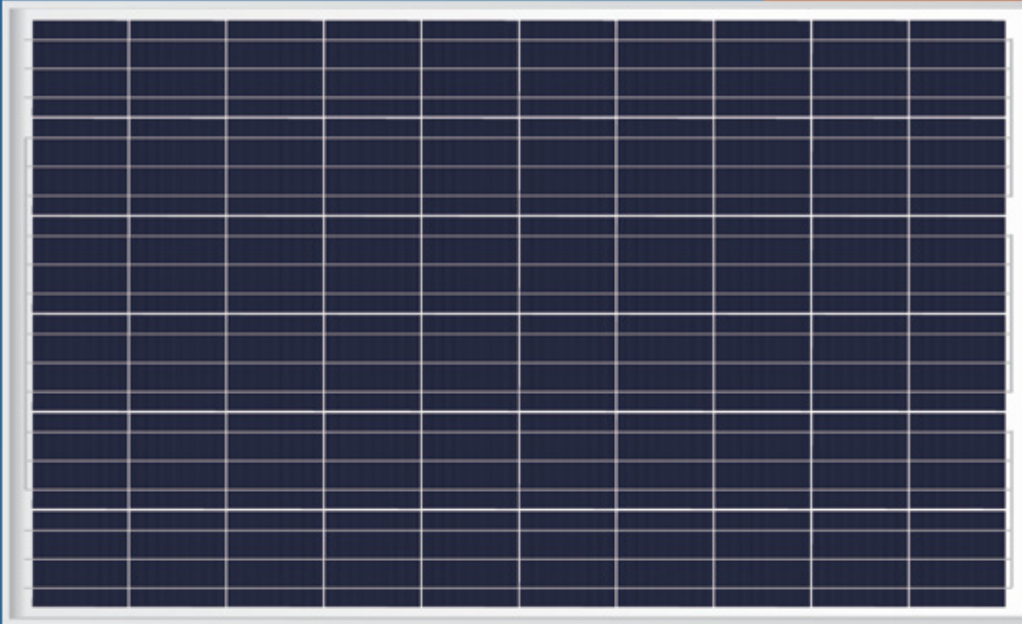


LW240 P1650×990



Characteristics:

- +5W output tolerance, providing more power
- Low-light performance ensures greater return on investment
- High quality anodised frames and tempered glass provides resistance to the harsh Australian climate (hail, wind, heat, humidity, and chemical etching)

Warranty/Quality Assurance

- 5 year product warranty
- 10 year warranty on 90% output
- 25 year warranty on 80% output
- ISO9001:2008 Certification

Recommended Applications

- Large scale solar farms
- * Commercial and residential on-grid systems
- * Commercial and residential off-grid systems



LIGHTWAY modules are engineered to outperform. Built for the harsh Australian climate, they provide reliable high yields and long service life.

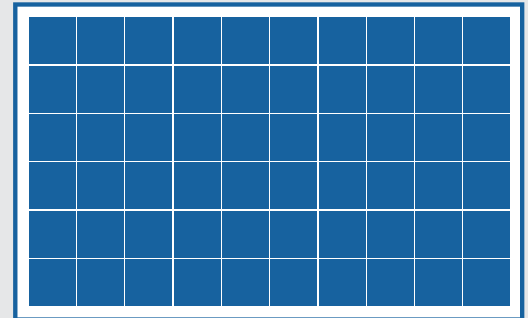
The high power tolerance, outstanding low-light performance, and comprehensive product guarantees mean more electricity can be produced during system operations ensuring a greater return on investment.



Electrical Characteristics

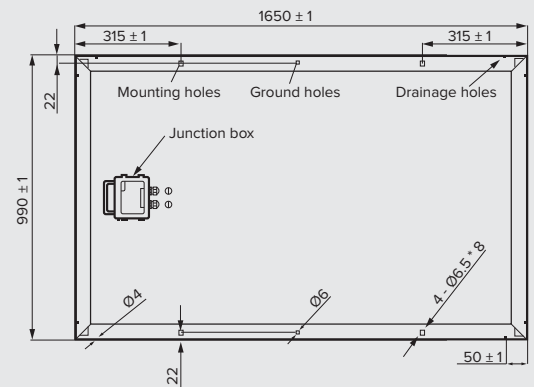
(The information on this page is for reference only)

Module Type		LW240(29)
Maximum Power at STC	W	240
Open-Circuit Voltage	V	37.4
Optimum Operating Voltage	V	29.8
Short-Circuit Current	A	8.56
Optimum Operating Current	A	8.05
Maximum System Voltage	V	1000
Power Tolerance	W	+5
Cell Efficiency	%	16.44
Test Condition	STC: AM = 1.5, 1000W/m ² , Cells Temperature 25°C	



Mechanical Characteristics

Item	Description
Cell Type	Multi-silicon
No. of Cells	60
Dimensions	1650mm x 990mm x 50mm
Weight	19.4kg
Front	3.2mm Tempered Glass
Rear	TPT
Frame	Anodised Aluminium (50mm)
No. of Diodes	6
Bus Bars	3
Output Cable	4mm ² TUV Certified
Type of Connector	MC4
Encapsulation Materials	EVA



Temperature Characteristics

Item	Description
NOCT	47°C ± 2°C
Temperature Coefficient of Pmax	-0.44071 %/K
Temperature Coefficient of Voc	-0.33453 %/K
Temperature Coefficient of Isc	0.0691 %/K



Package

Item	Description
No. of Modules per Box	20
Gross Weight(kg)	460
Boxes per Pallet	1

IV Curves

